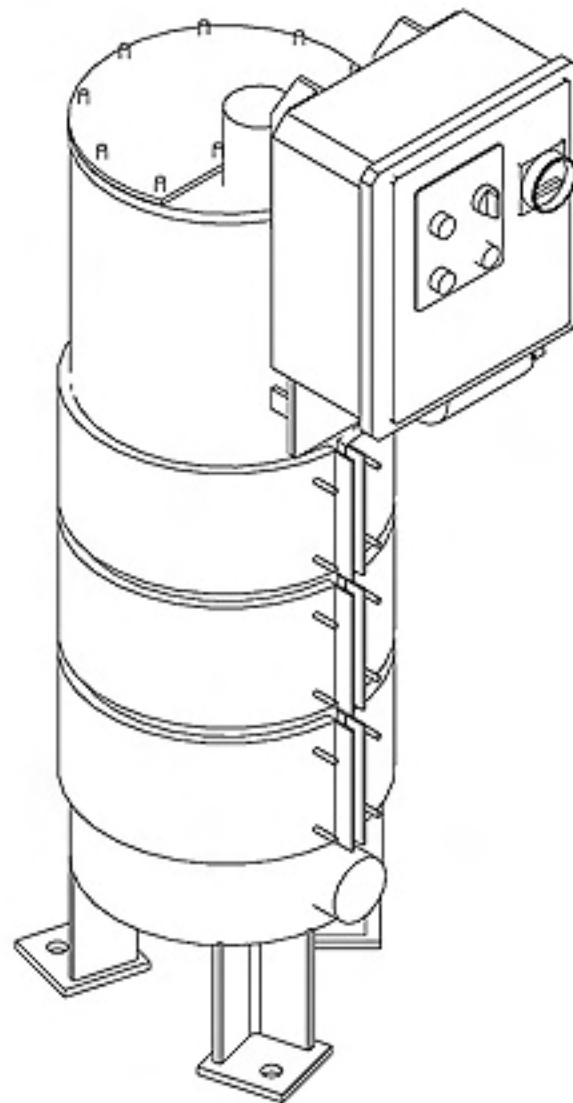
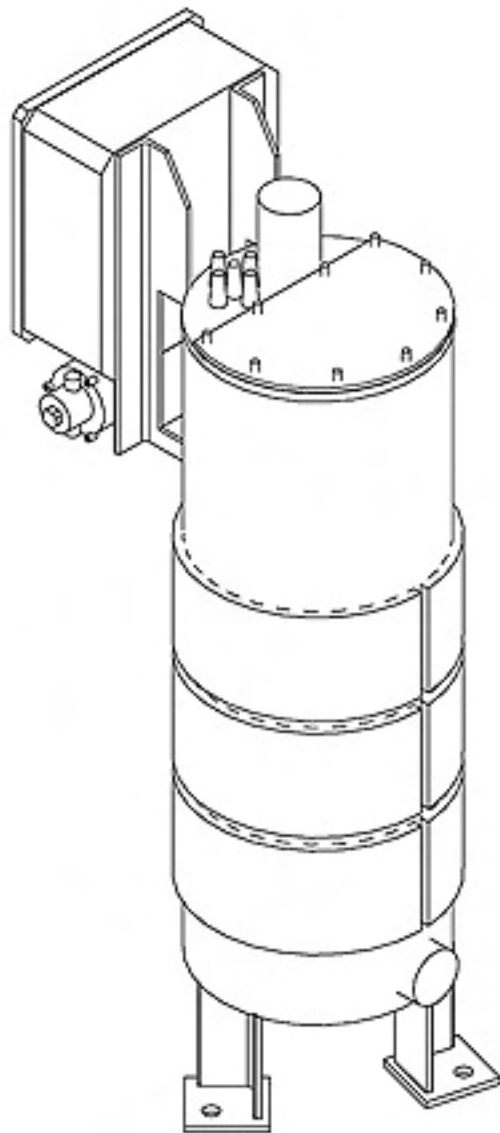


NOTES:



**SKIMOIL**  
INC.

[www.marinEVAP.com](http://www.marinEVAP.com)  
314.579.9755

CUSTOMER	-			
REV	001	P.O. NO.	-	
DATE	-	DATE	SHEET NO.	1 OF 1
SCALE	-	-	-	REV
NOTE	-	-	-	AKLS