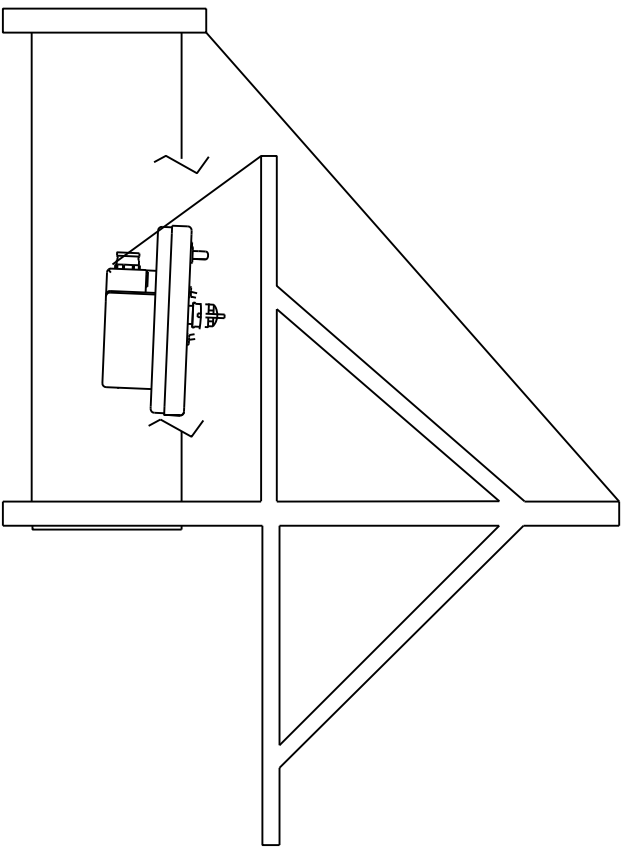
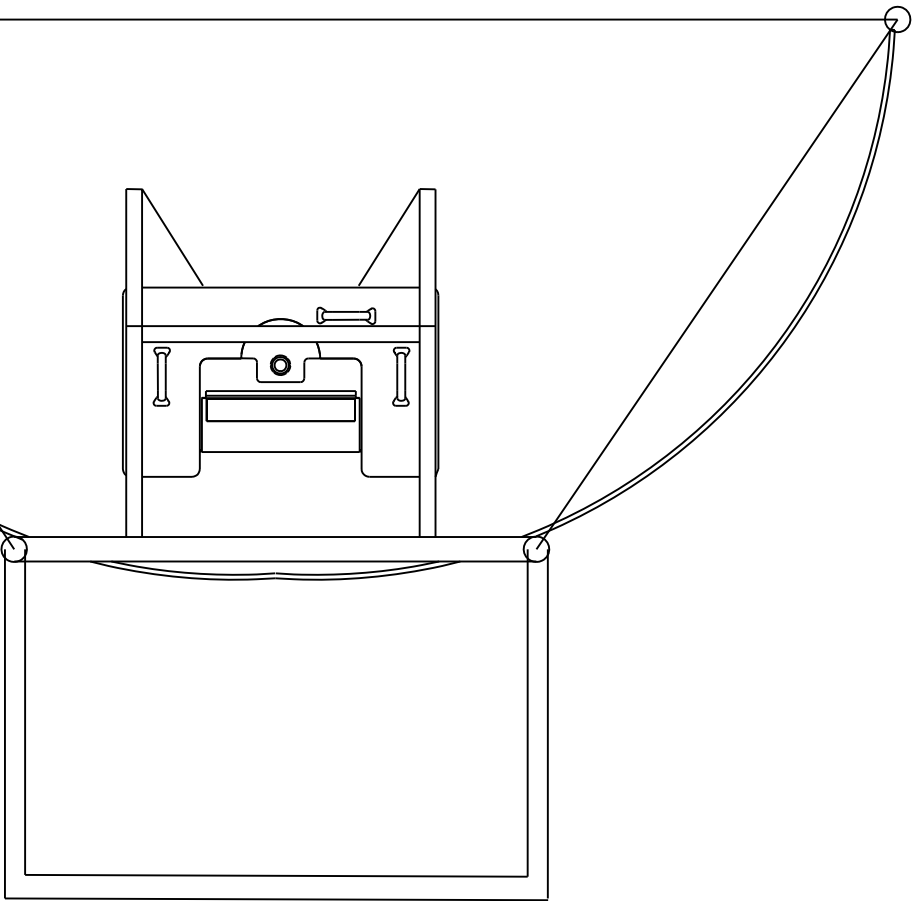


# SKIMMOL<sup>®</sup> INC.



DATE		6/15/10	
WO		_____	
DWC NO		_____	
so		_____	
spill wedge			
Hose deployment			

REV	DATE	DESCRIPTION