



103 W. weaver Street #10, Carrboro, NC 27510, USA
www.skimoil.com / contact@skimoil.com
(314) 579-9755

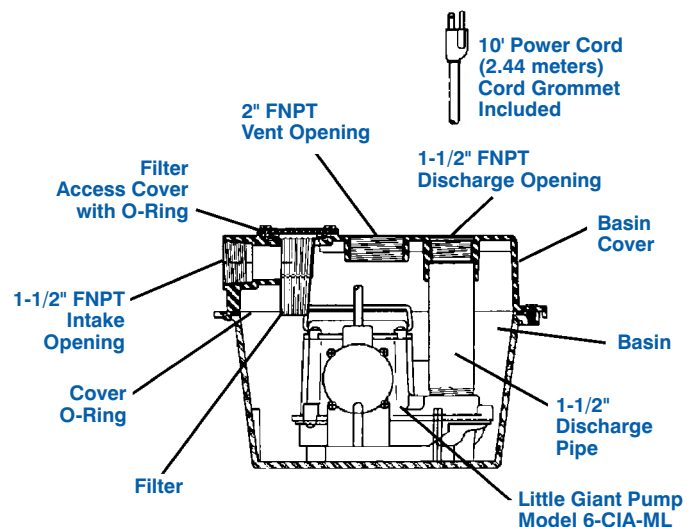
S/WRSC-6/X Pump Out System



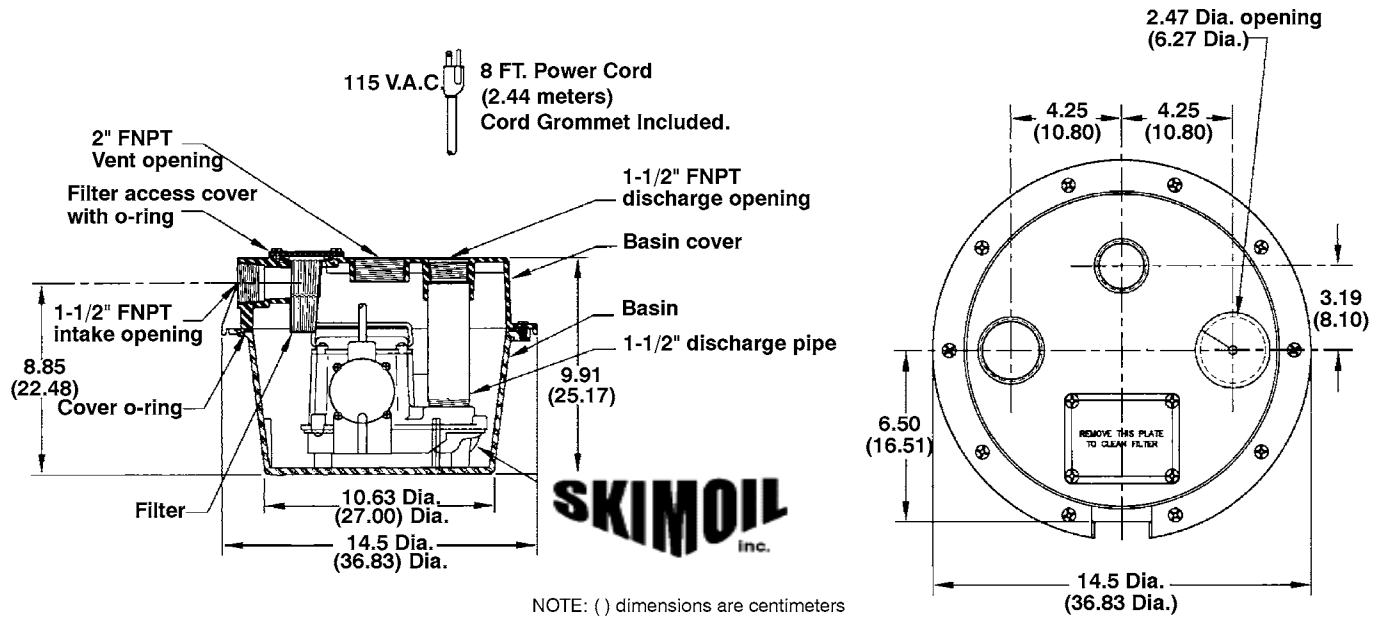
Features

- Pump made of cast iron housing with protective epoxy coating for corrosion resistance
- Screened intake
- 1/3 HP motor with thermal overload protection
- Automatic diaphragm pressure switch enclosed in nylon housing with “on” level at 4”–7” and “off” level at 1”–3”
- Compact design for limited space applications
- Basin made of polypropylene, light weight, and corrosion resistant
- Basin designed with O-rings to provided a water-tight seal
- Basin cover comes with a removable filter screen for easy cleaning
- Cover comes with 1-1/2" FNPT discharge, a 1-1/2" FNPT intake opening, 2" FNPT vent opening and a rubber cord grommet to fit cord exit hole
- IAPMO listed basin
- Pre-assembled ready to be installed

The compact S/WRSC-6/X removes water from laundry trays, lavatory sinks, wet bar sinks, dehumidifiers, air conditioners (condensate), water softeners, etc. Installs above floor, no need to dig a sump. Unit is pre-assembled and ready-to-install.



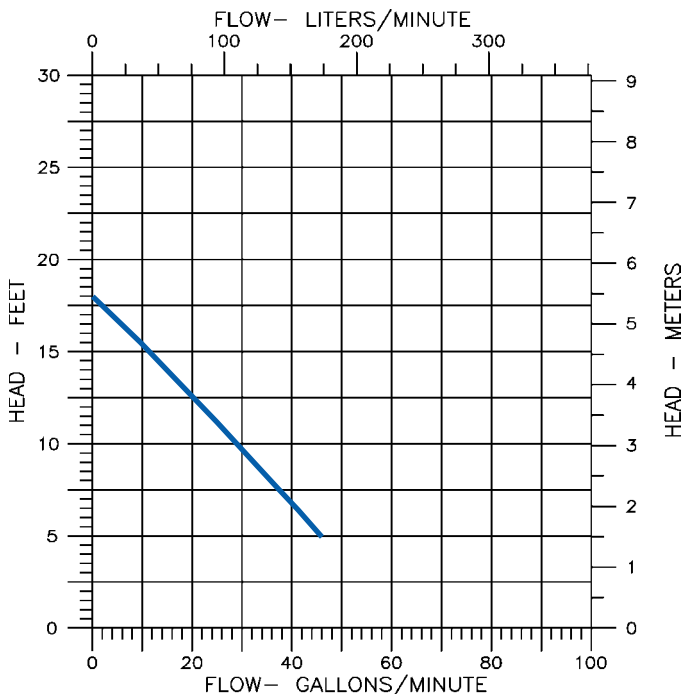
S/WRSC-6/X Pump Out System



Specifications

Model No.	Item No.	Discharge	Listing	HP	Volts	Hz.	Running Amps/Watts	Flow (GPM @ Head)			Shutoff Head (ft.)	Weight (lbs.)	Dimensions (H x L x W) (in.)
								5'	10'	15'			
S/WRSC-6/X	506065	1-1/2"	UL/CSA/IAPMO	1/3	115	60	9/720	45	29	12	18'	25	14.50 x 9.91
S/WRSC-6/X	506066	1-1/2"	UL/CSA/IAPMO	1/3	230	50/60	5/720	45	29	12	18'	25	14.50 x 9.91

UL/CSA listing for pump only



Pump Construction

Motor Housing	Epoxy-coated Cast Iron
Impeller Material	Nylon
Impeller Type	Non-Clog
Volute	Polypropylene
Power Cord	SJTW-A
Mechanical Shaft Seal	Carbon & Ceramic Faces with Nitrile Bellows
Fasteners	Stainless Steel
Shaft	CRS
Bearings	Upper and Lower Sintered Sleeve Bearings

Basin Construction

Basin/Cover	Polypropylene
Basin Fluid Capacity (approx.)	3.5 Gallons
Discharge Size	1-1/2" FNPT
Intake Size	1-1/2" FNPT
Vent Size	2" FNPT

